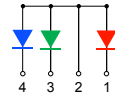
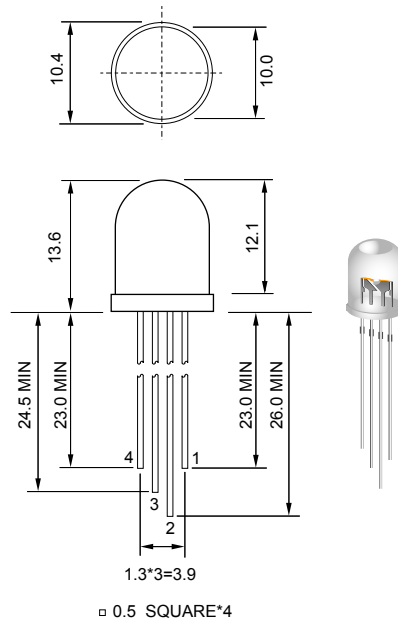


## LBL 100RGB

Note:

1. Red
2. Common
3. Green
4. Blue



<b>EMITTING COLOR</b>	U-B Blue /U-B Green/U-B RED
<b>MATERIAL</b>	InGaN/InGaN/GaAlAs

### Electro-Optical Characteristic ( Ta=+25°C )

PARAMETER	SYMBOL	CONDITIONS	MIN.	TYP.	MAX.	UNIT
FORWAED VOLTAGE	VF (B/G/R)	IF=20mA	3.0 / 3.0 / 1.8	3.3 / 3.3 / 1.95	3.8 / 3.8 / 2.45	
REVERSE CURRENT	IR	VR=5V			10	uA
LUMINOUS INTENSITY	IV (B/G/R)	IF=20mA	1200 / 4000 / 800	1500 / 6000 / 1200	2000/ 8000 /2000	mcd
DOMINANT WAVELENGTH	$\lambda_D$ (B/G/R)	IF=20mA	460 / 510 / 625	465 / 513 / 630	470 / 515 / 635	nm
SPECTRUM WHIN OF HALF VALUE	$\Delta\lambda$ (B/G/R)	IF=20mA		30 / 30 / 25		nm
VIEWING ANGEL	$\Delta\theta$	IF=20mA		$\pm 15$		deg

### ABSOLUTE MAXIMUM RATINGS ( Ta=+25°C )

Reverse Voltage (V)	Continuous forward current(mA)	Peak forward current(mA)	Power Dissipation (mW)	Operation Temperature Range(°C)	Storage Temperature Range(°C)
10	40	80	100	- 20 ~ 80	- 40 ~ 100