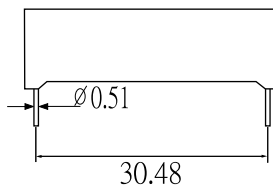
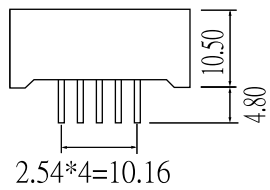
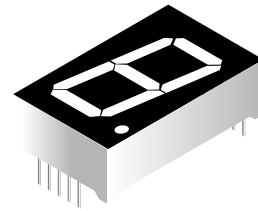
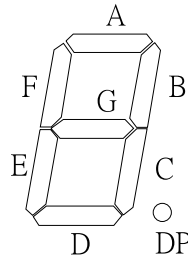
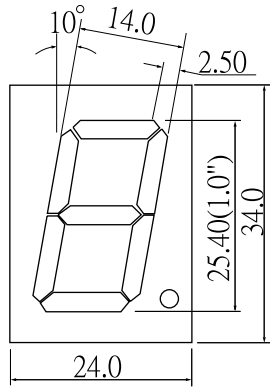


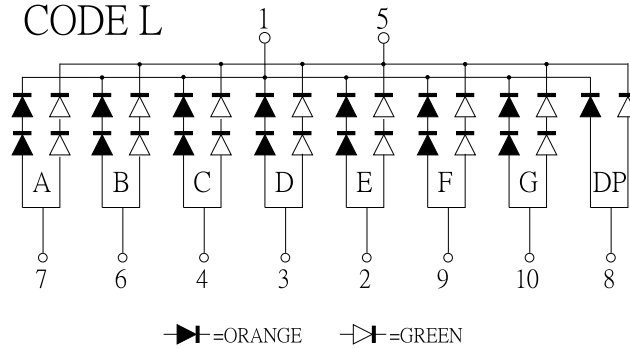
LightBo

PACKAGE DIMENSION INTERNAL CIRCUIT DIAGRAM

LB11003



CODE L



CODE I

